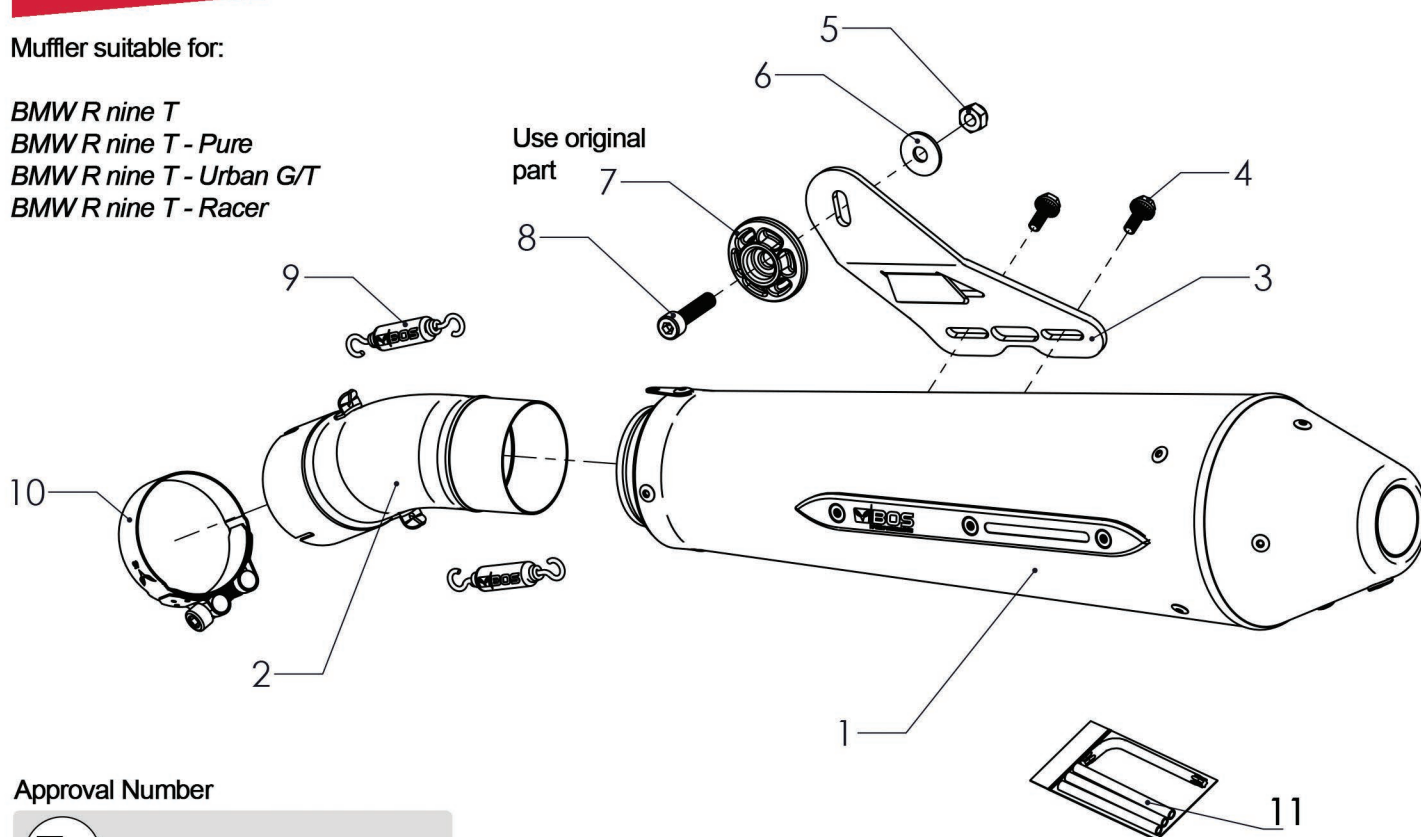


Muffler suitable for:

BMW R nine T
 BMW R nine T - Pure
 BMW R nine T - Urban G/T
 BMW R nine T - Racer



Approval Number

E13 92R-01 10407 TYPE 1020

| Pos | Qty | Part No. | Description | Ordernumber |
|-----|-----|-----------------|-------------------------------|---------------------------------------|
| 1 | 1 | 900109 | Muffler Taper Stainless Steel | BM09R09-TAST - Stainless Steel |
| | | 850040 | Mounting Parts: | |
| 2 | 1 | 750027 | Link Pipe | |
| 3 | 1 | 700050 | Mounting Bracket | |
| 4 | 2 | 14148 | Bolt M6x12 flange Torx | |
| 5 | 1 | 14055 | M8 Lock Nut | |
| 6 | 1 | 14060 | Washer M8 - D24 | |
| 7 | 0 | <i>Original</i> | <i>Washer</i> | |
| 8 | 1 | 300053 | Bolt M8x40 Torx | |
| 9 | 2 | 14088 | Pull Spring 36 mm. | |
| 10 | 1 | 300013 | Clamp 65 | |
| 11 | 1 | 800010 | Fittingkit Colar bars | |

Weight:

Stock: 4,2 kg
 Bos: 3,0 kg

Noiselevel: @ 3875 rpm

Stock: Specified 90,0 dB(A)
 Measured 88,0 dB(A)
 Bos: Measured 89,0 dB(A)

Performance

Stock: 114,2 Hp / 7504 rpm
 Bos: 116,7 Hp / 7503 rpm
 Max. Hp incr.: + 5,6 Hp / 8210 rpm
 Max Nm incr.: + 3,0 Nm / 6299 rpm

Tips

In order to avoid smudges and fingerprints burning into the surface it is imperative to clean the exhaust before starting the engine, burnt in stains are very difficult to remove.
 After 300 miles or 500 kms. check all nuts and bolts and retighten if necessary.

Extra Parts: