

Pos	Qty	Part No.	Description	Ordernumber
1	1	900011	Muffler SSEC RR Titanium Endcap	BM10S06 - SERR - Titanium
1*	1	900021	Muffler SSEC RR Aluminium Endcap	BM10S06 - SERR - Aluminium
		850004	Mounting Parts:	Weight:
2	1	750002	Adapter	Stock: 2,4 kg Bos: 1,65 kg
3	1	700022	Mounting Bracket Lowmount	Noiselevel: @ 5500 rpm
3*	1	700021	Mounting Bracket Highmount	Stock: Specified 94,0 dB(A)
4	2	14148	M6x16 Flange Screw Torx	Measured 93,5 dB(A)
5	1	14055	Locknut M8	Bos: Measured 94,5 dB(A)
6	2	14060	Washer M8	
7	1	14092	Rubber	
8	1	64621	Bushing D12x9	Performance
9	1	14070	Bolt M8x35	Stock: 169,5 Hp / 11350 rpm
10	1	14088	Pull Spring L=36 mm.	Bos: 170,1 Hp / 11500 rpm
11	1	64576	Clamp D63	Max. Hp incr.: + 2,1 Hp / 10250 rpm
12	1	700039	Heatshield S1000 XR	Max Nm incr.: + 1,6 Nm / 9200 rpm
13	1	300006	Spring Pull Tool	

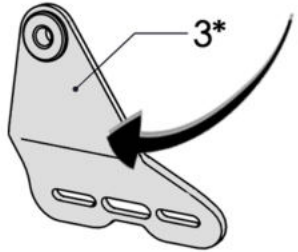
Tips

In order to avoid smudges and fingerprints burning into the surface it is imperative to clean the exhaust before starting the engine, burnt in stains are very difficult to remove.

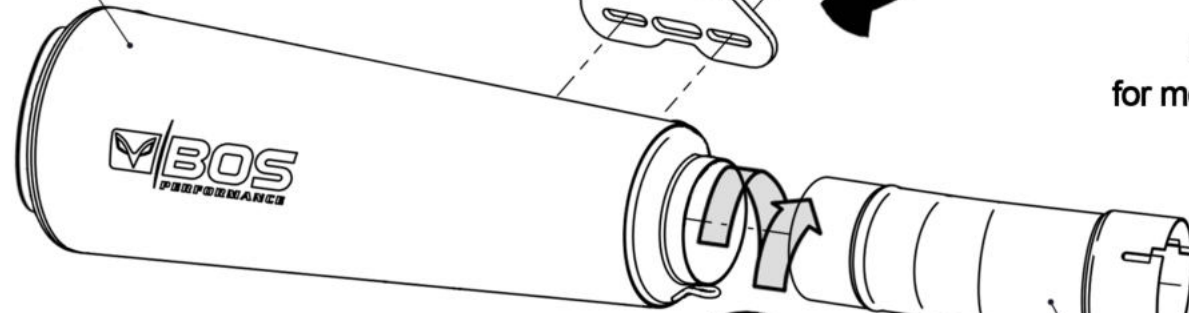
After 300 miles or 500 kms. check all nuts and bolts and retighten if necessary.



If you prefer that sporty look!
Use this Highmount bracket.



1/1*



OEM Bracket

Mount this bracket
when using your suitcases!

Use original bolts
for mounting this heatshield

You will have
to twist and adjust
this adapter tube when
switching brackets



Nr.4



Nr.9



Nr.11



Approval Number
00108G TYPE 1029